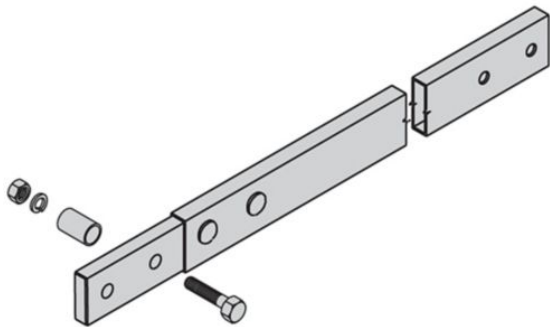


# Eaton SB220110YZ

Catalog Number: SB220110YZ

Eaton auxiliary support channel, Steel, Pre-assembled channel, spacer, and hardware included, 10" length, Yellow zinc finish, 2" X 9/16" Support channel

## General specifications



### Product Name

Eaton auxiliary support channel

### UPC

799038019497

### Product Height

0.56 in

### Product Weight

18.8 lb

### Catalog Number

SB220110YZ

### Product Length/Depth

10 in

### Product Width

2 in

### Certifications

Not Applicable



Powering Business Worldwide

## Product specifications

### Model

2" X 9/16" support channel

### Material

Steel

### Finish

Yellow zinc chromate

## Resources

### Catalogs

[auxillary supports](#)

### Specifications and datasheets

[Eaton Specification Sheet - SB220110YZ](#)



Eaton Corporation plc  
Eaton House  
30 Pembroke Road  
Dublin 4, Ireland  
Eaton.com

© 2023 Eaton. All Rights Reserved.

Eaton is a registered trademark.

All other trademarks are property of their respective owners.



[Eaton.com/socialmedia](https://www.eaton.com/socialmedia)